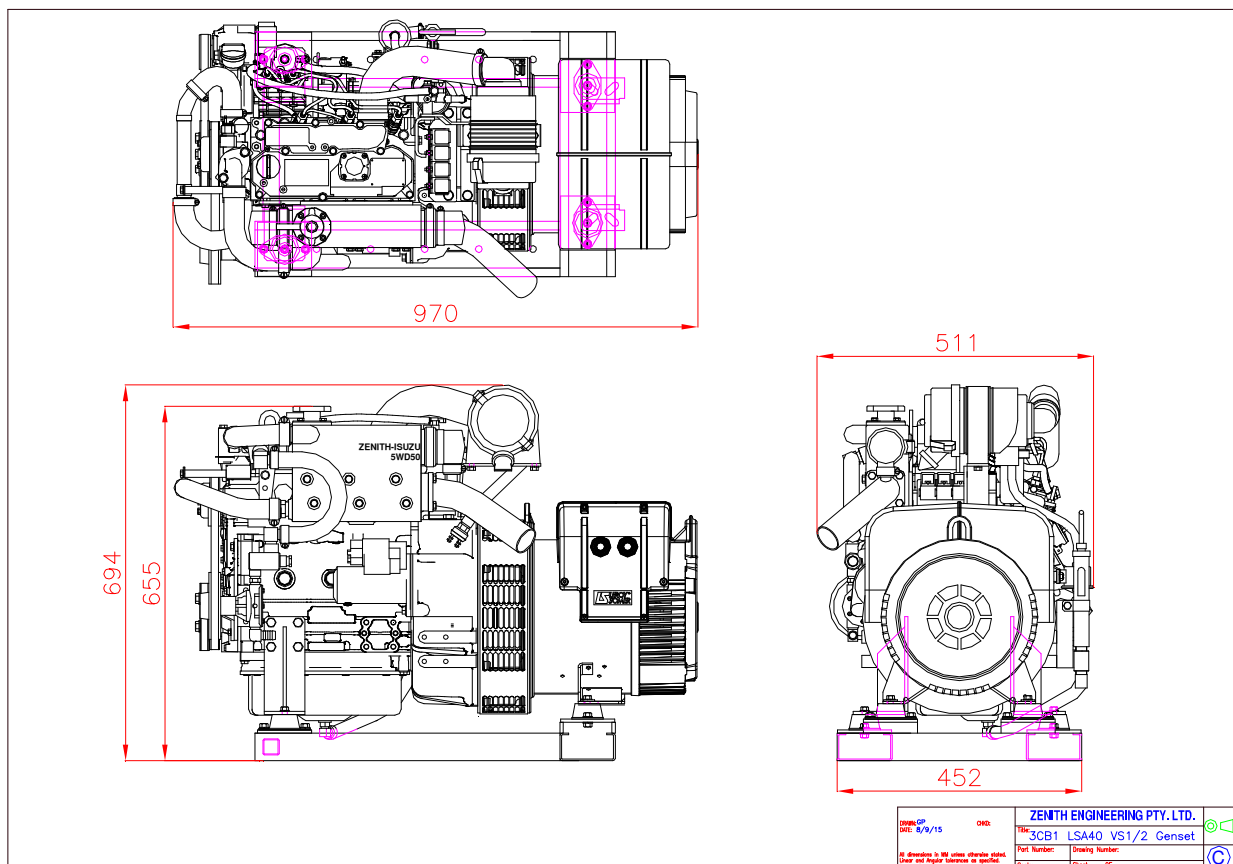


## C-Panther Marine Gen.Set – 9 kva three phase – Leroy Somer

Approx Weight – 214 kg

This unit comprises the following:

- Isuzu Diesel Model 3CB1-GZG01, 3 cyl., 1115cc, EPA Tier 4 Certified, EC Exempt, indirect injection, with Isuzu Australia warranty
- Leroy Somer AVR Control Alternator, model LSA40 VS1
- Engine is available fully marinised, or with water cooled manifold and keel cooling
- Fitted and wired with start/stop control panel
- Auto shutdown protection for high water temp/low oil pressure
- Sump drain facility with manual sump pump fitted
- Set up on powder coated frame, with quality resilient mounts
- Unit load tested prior to delivery
- Includes spare Genuine Isuzu fuel & oil filters, engine workshop manual and cooling system inhibitor concentrate
- This engine/alternator combination is capable of producing an output of approx.9 kva single phase at 1500rpm



**Zenith Engineering Pty. Ltd. \* 16 Crombie Street \* Milton 4064 \* Australia**

Phone(07)33694599 \* Fax(07)33690459 \* Email:info@zenith.net.au \* Web: www.zenith.net.au