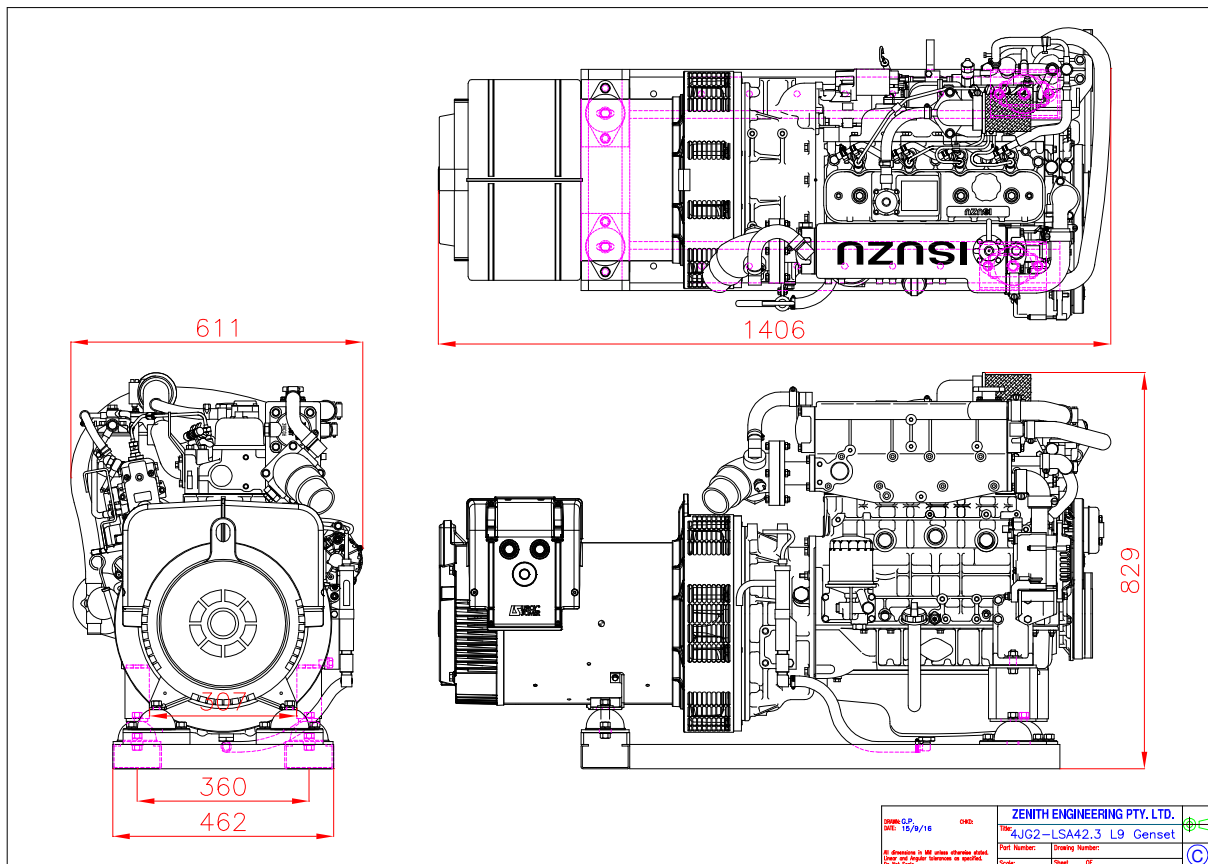


Marine Gen.Set – 30kva single phase – Leroy Somer

Approx Weight – 498 kg

This unit comprises the following:

- Isuzu Diesel Model 4JG2PD01, 4 cyl., 3059cc, with Isuzu Australia warranty
- Leroy Somer AVR Control Alternator, model LSA42.3 L9
- Engine is available fully marinised, or with water cooled manifold and keel cooling
- Fitted and wired with start/stop control panel
- Auto shutdown protection for high water temp/low oil pressure
- Sump drain facility with manual sump pump fitted
- Set up on powder coated frame, with quality resilient mounts
- Painted marine white
- Unit load tested prior to delivery
- Includes spare Genuine Isuzu fuel & oil filters, engine workshop manual, cooling system inhibitor concentrate, and spray can of touch up paint
- This engine/alternator combination is capable of producing an output of 30kva single phase at 1500rpm



Zenith Engineering Pty. Ltd. * 16 Crombie Street * Milton 4064 * Australia

Phone(07)33694599 * Fax(07)33690459 * Email:info@zenith.net.au * Web: www.zenith.net.au