

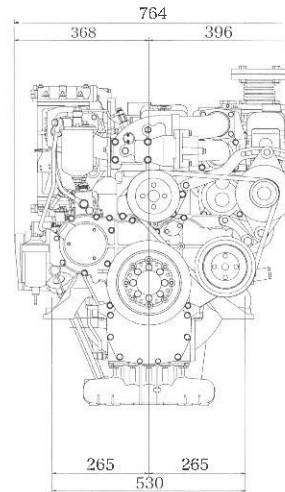
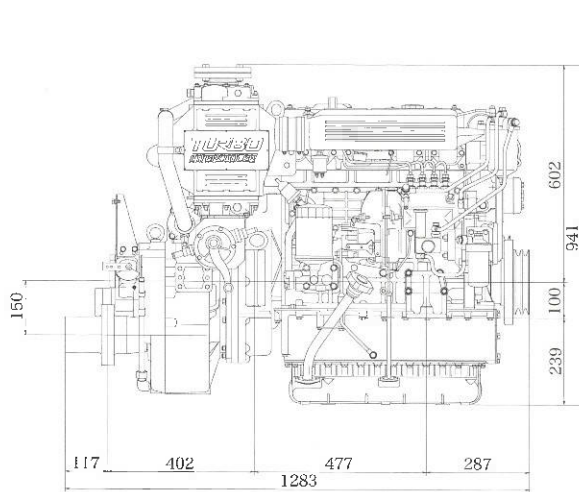
UM4BG1TCX

ISUZU

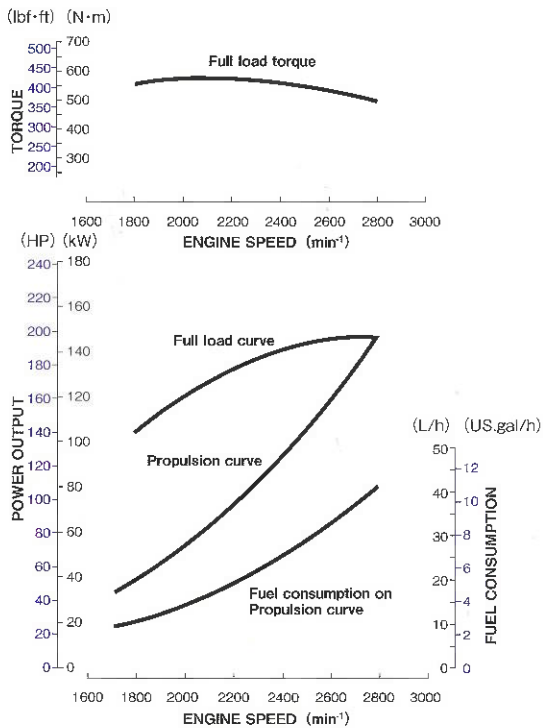
ISUZU MARINE ENGINE INC.

UM4BG1TCX

DIMENSIONS (mm)



PERFORMANCE CURVES



ENGINE SPECIFICATIONS

Configuration	4-cylinder, vertical in-line, 4-cycle diesel engine	
Bore x Stroke	mm (in)	105 x 125 (4.13 x 4.92)
Displacement	Lit. (cid)	4.329 (264)
Rated output	kW(PS)/ min^{-1}	134 (182) / 2700
		Medium duty
		Light duty
Application	Commercial use	
Governor type	Mechanical	
Combustion type	Direct injection	
Aspiration	Turbo charged / Intercooler	
Exhaust gas status	IMO Tier II	
Engine weight	kg (lb)	Engine
		with MGN35A
		507 (1,118)
		655 (1,444)
Fuel used	Diesel fuel	
Starter	V-kW	24 - 4.5
Alternator	V-A	24 - 50
Lubrication method	Full flow pressure circulation	
Cooling method	Freshwater, full flow pressure circulation (Seawater, indirect)	
Heat exchanger (seawater circulation)	Multi-tube type (freshwater→seawater)	
Intercooler	Multi-tube type (seawater circulation)	
Rotation direction	Crankshaft	Right (clockwise) viewed from front of engine
	Propeller shaft	Right (clockwise) viewed from stern
Idling speed	min^{-1}	550
Marine gear	Marine Gear Model	MGN35A
	Clutch type	Wet, Multi-plate hydraulic type
	Reverse type	Constant-mesh type gear
	Reduction ratio	1.97, 2.56, 3.05, 3.45

Specifications subject to change without notice

ACCESSORIES

Standard.....

- Installation kit
- Kingston valve
- Battery relay
- Extension harness (3m)
- Seawater pump impeller *
- Bilge pump
- Control head
- Instrument panel
- Oil drain pump
- Blow-by pipe
- Tool kit
- Owner's manual

* spare parts

Option.....

- Extension harness (3m)
- Control cable (4m,6m,10m,12m)
- Stop cable (4m,6m,8m)

ISUZU MARINE ENGINE INC.

<http://www.isuzumarine.co.jp>

