

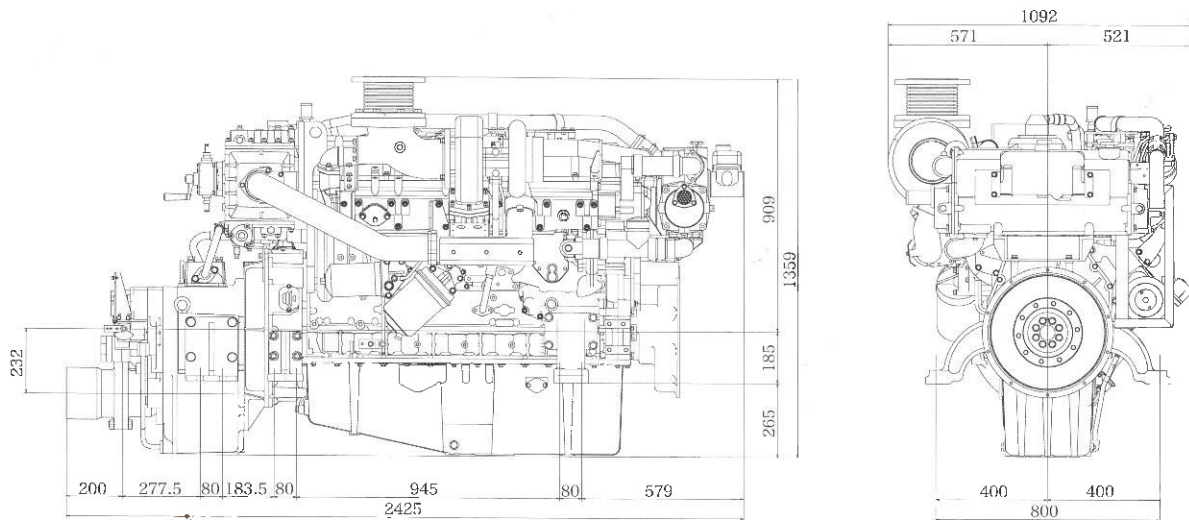
UM6WG1TC-AB

ISUZU

ISUZU MARINE ENGINE INC.

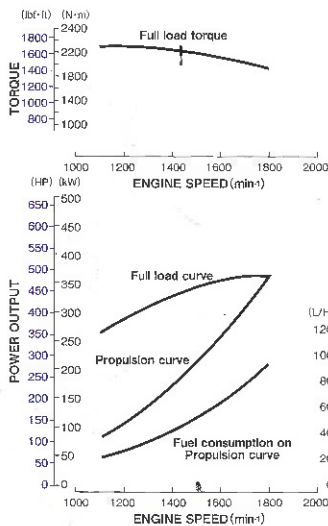
UM6WG1TC-AB

DIMENSIONS (mm)

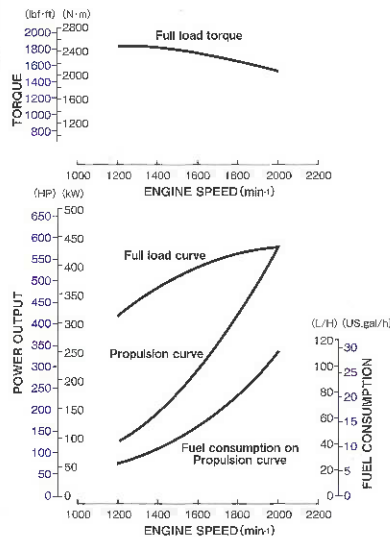


PERFORMANCE CURVES

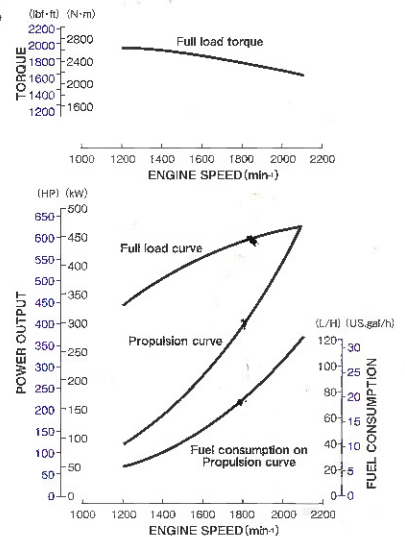
AB1



AB2



AB3



ENGINE SPECIFICATIONS

Configuration		6-cylinder, vertical in-line, 4-cycle diesel engine	
Bore x Stroke		mm (in) 147 x 154 (5.78 x 6.06)	
Displacement		Lit. (cid) 15.681 (956)	
Rated output *1	kW(PS)/min ⁻¹	AB1	377 (512) / 1800
		AB2	447 (608) / 2000
		AB3	485 (659) / 2100
Application		Commercial use	
Governor type		Mechanical	
Combustion type		Direct injection	
Aspiration		Turbo charged / Intercooler	
Exhaust gas status		IMO Tier II	
Engine weight	kg (lb)	Engine	1,500 (3,307)
		with MGN80B	1,920 (4,233)
Fuel used		Diesel fuel	
Starter		V-kW 24 - 7.4	
Alternator		V-A 24 - 50	
Lubrication method		Full flow pressure circulation	
Cooling method		Freshwater, full flow pressure circulation (Seawater, indirect)	
Heat exchanger (seawater circulation)		Multi-tube type (freshwater-seawater)	
Intercooler		Multi-tube type (seawater circulation)	
Rotation direction	Crankshaft	Right (clockwise) viewed from front of engine	
	Propeller shaft	Right (clockwise) viewed from stern	
Idling speed		min ⁻¹ 560~600	
Marine gear	Marine Gear Model	MGN80B	
	Clutch type	Wet, Multi-plate hydraulic type	
	Reverse type	Constant-mesh type gear	
	Reduction ratio	1.68, 2.03, 2.55, 2.96, 3.31, 3.48	

*1: F/W output, AB1:Continuous heavy duty, AB2:Heavy duty, AB3:Medium duty
Specifications subject to change without notice

ACCESSORIES

Standard

- Installation kit
- Oil drain pump
- Battery relay
- Extension harness (5m)
- Seawater pump impeller *
- Bilge pump
- Control head
- Instrument panel
- Blow-by pipe
- V-belt *
- Zinc bars *
- Tool kit
- Owner's manual

* spare parts

Option

- Extension harness (5m)
- Control cable (4m,6m,10m,12m)
- Stop cable (4m,6m,8m)

ISUZU MARINE ENGINE INC.
<http://www.isuzumarine.co.jp>