

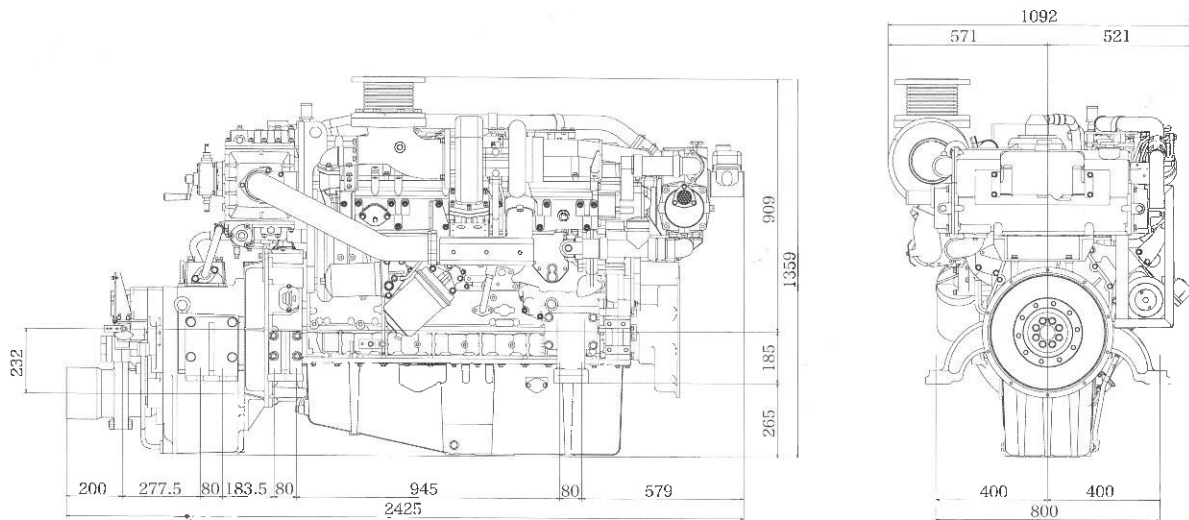
UM6WG1TC-AB

ISUZU

ISUZU MARINE ENGINE INC.

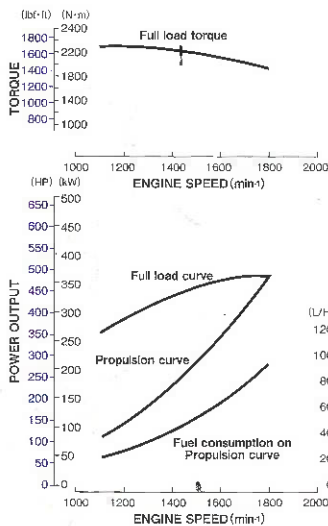
UM6WG1TC-AB

DIMENSIONS (mm)

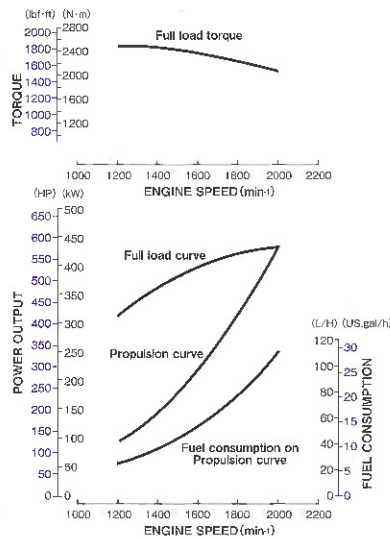


PERFORMANCE CURVES

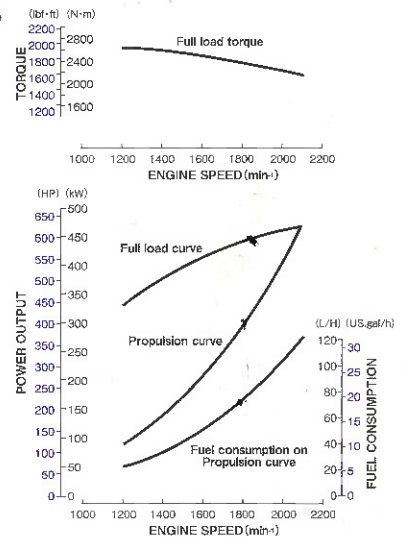
AB1



AB2



AB3



ENGINE SPECIFICATIONS

| | | | |
|---------------------------------------|--------------------------|---|------------------|
| Configuration | | 6-cylinder, vertical in-line, 4-cycle diesel engine | |
| Bore x Stroke | | mm (in) 147 x 154 (5.78 x 6.06) | |
| Displacement | | Lit. (cid) 15.681 (956) | |
| Rated output *1 | kW(PS)/min ⁻¹ | AB1 | 377 (512) / 1800 |
| | | AB2 | 447 (608) / 2000 |
| | | AB3 | 485 (659) / 2100 |
| Application | | Commercial use | |
| Governor type | | Mechanical | |
| Combustion type | | Direct injection | |
| Aspiration | | Turbo charged / Intercooler | |
| Exhaust gas status | | IMO Tier II | |
| Engine weight | kg (lb) | Engine | 1,500 (3,307) |
| | | with MGN80B | 1,920 (4,233) |
| Fuel used | | Diesel fuel | |
| Starter | | V-kW 24 - 7.4 | |
| Alternator | | V-A 24 - 50 | |
| Lubrication method | | Full flow pressure circulation | |
| Cooling method | | Freshwater, full flow pressure circulation (Seawater, indirect) | |
| Heat exchanger (seawater circulation) | | Multi-tube type (freshwater-seawater) | |
| Intercooler | | Multi-tube type (seawater circulation) | |
| Rotation direction | Crankshaft | Right (clockwise) viewed from front of engine | |
| | Propeller shaft | Right (clockwise) viewed from stern | |
| Idling speed | | min ⁻¹ 560~600 | |
| Marine gear | Marine Gear Model | MGN80B | |
| | Clutch type | Wet, Multi-plate hydraulic type | |
| | Reverse type | Constant-mesh type gear | |
| | Reduction ratio | 1.68, 2.03, 2.55, 2.96, 3.31, 3.48 | |

*1: F/W output, AB1:Continuous heavy duty, AB2:Heavy duty, AB3:Medium duty
Specifications subject to change without notice

ACCESSORIES

Standard

- Installation kit
- Oil drain pump
- Battery relay
- Extension harness (5m)
- Seawater pump impeller *
- Bilge pump
- Control head
- Instrument panel
- Blow-by pipe
- V-belt *
- Zinc bars *
- Tool kit
- Owner's manual

* spare parts

Option

- Extension harness (5m)
- Control cable (4m,6m,10m,12m)
- Stop cable (4m,6m,8m)

ISUZU MARINE ENGINE INC.
<http://www.isuzumarine.co.jp>