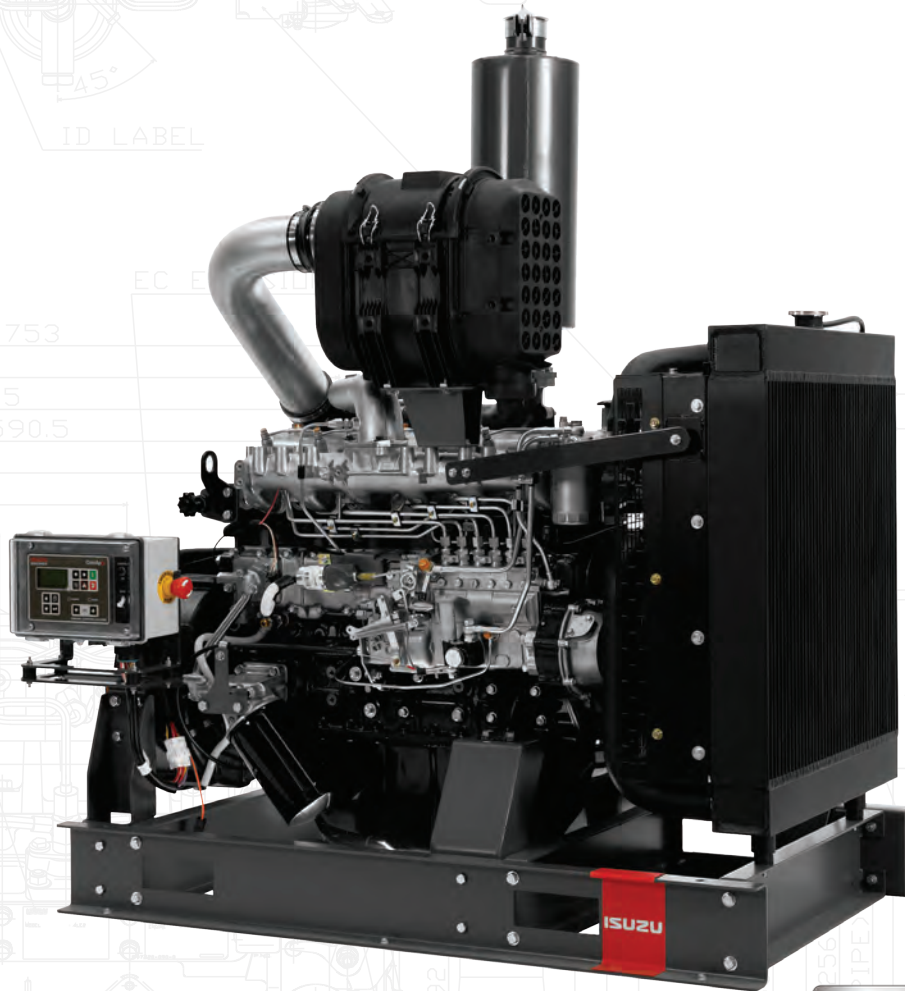


ISUZU
POWER
SOLUTIONS

B-Series Power Units 89 - 163 hp

Reliable. Efficient. Legendary.



MADE TO STOCK
POWER UNITS

Isuzu Power Solutions MTS Power Units / Ready-to-work / Unrivalled performance and fuel efficiency
/ Designed and assembled in Australia for Australian conditions / Rigorously tested / Premium options available

Isuzu B-Series Engine Models / 4BG1 (89 hp) / 4BG1TRW01 (96 hp) / 4BG1TRW (123 hp)
/ 6BG1 (125 hp) / 6BG1T (163 hp)

Applications / Agricultural / General Industry / Hydraulic Pump / Irrigation / Refrigeration / Water Pump

Reliable. Efficient. Legendary.

Key Features and Benefits

- Genuine Japanese made Isuzu engine.
- Low fuel consumption, low noise, low maintenance.
- Suits a wide variety of applications.
- Locally developed accessories suitable for tough Australian applications.
- Reliable power you can depend on.
- Supported by the extensive Isuzu dealer network.

Standard Inclusions (MTS)

- Heavy duty cooling package featuring all-aluminium bar and plate construction (55°C+ rating).
- Engine Controller PRO with IP65 rating for complete engine monitoring and protection.
- Industrial or residential grade exhaust system.
- Premium Donaldson air cleaner with air filter service indicator.
- Australian designed and manufactured skid and engine mounts.
- Premium adjustable mechanical or electronic throttle.

Available Options*

- Heavy duty dual element air cleaning systems.
- Extension harnesses.
- Premium pressure transducer range.
- 4G remote monitoring and control kit.
- Low coolant alarm protection kit.
- 160W solar battery charging kit.

MTS Specifications

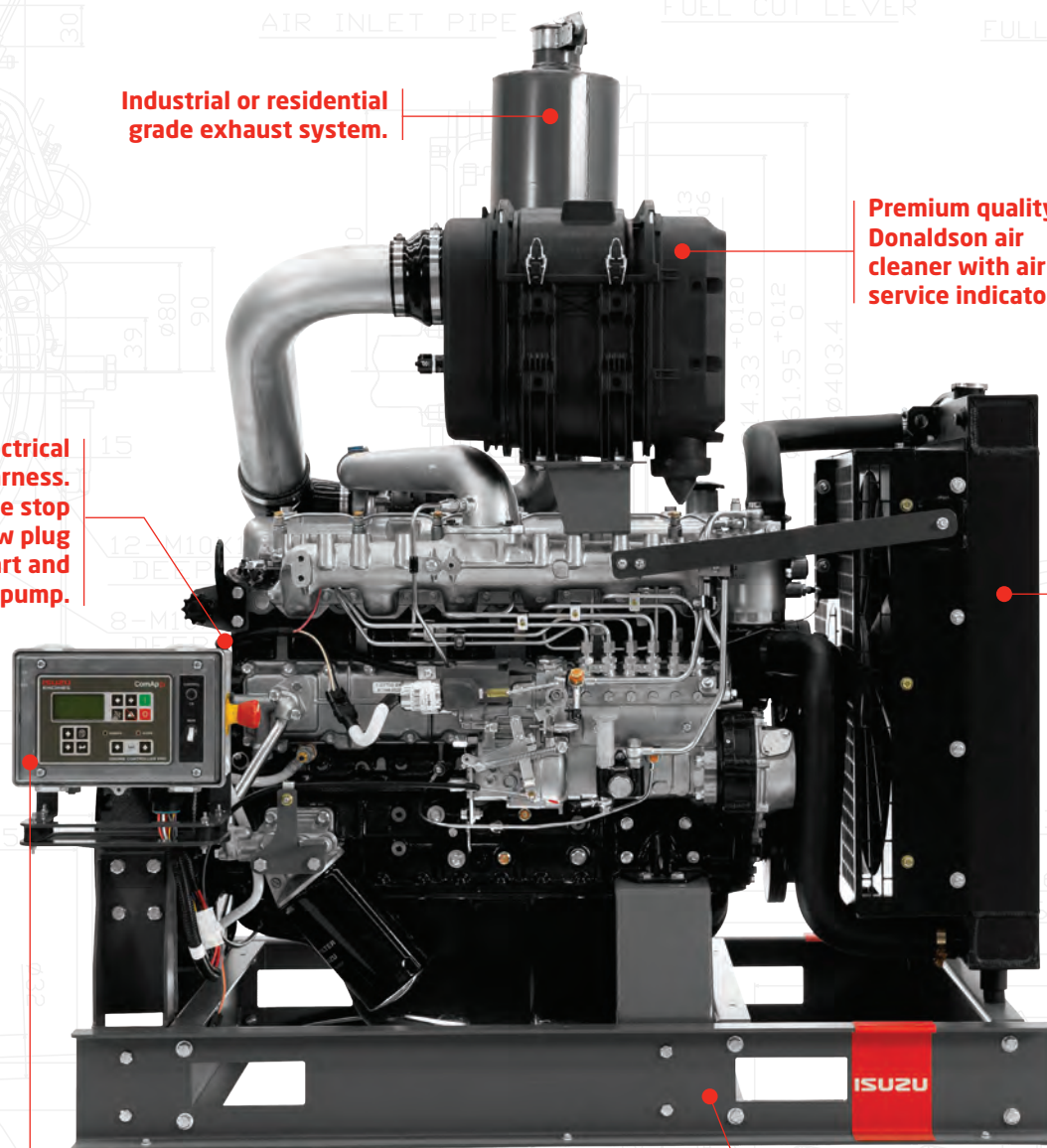
Engine Model	4BG1-PW	4BG1-TRW01	4BG1-TRW	6BG1-QW	6BG1-TRW02
Cylinders	4	4	4	6	6
Displacement	4.3 L	4.3 L	4.3 L	6.5 L	6.5 L
Rated Power hp (kW) @ RPM	2000	77.0 (57.4)	85.9 (64.0)	108.9 (81.1)	154.4 (115.0)
	2100	79.3 (59.1)	89.2 (67.0)	114.1 (85.0)	159.0 (119.0)
	2200	81.3 (60.6)	92.0 (69.0)	118.1 (89.0)	120.0 (89.5)
	2300	83.1 (62.0)	94.2 (70.0)	120.7 (90.0)	123.0 (91.7)
	2400	84.4 (62.9)	95.7 (71.0)	122.0 (91.0)	124.0 (92.5)
	2500	89.0 (66.4)	96.3 (72.0)	123.0 (91.7)	125.0 (93.2)
Max. Torque	304 Nm @ 1600 RPM	311 Nm @ 1600 RPM	387 Nm @ 2000 RPM	412 Nm @ 1500 RPM	554 Nm @ 1800 RPM
Fuel Consumption¹ @ 100% Load	18.9 L/h	22.0 L/h	27.8 L/h	28.2 L/h	36.0 L/h
Fuel Injection	Mechanical	Mechanical	Mechanical	Mechanical	Mechanical
Emission Compliance	Tier-1	Tier-2	Tier-2	Tier-1	Tier-2
Flywheel / Housing²	SAE 10" / SAE #3	SAE 10" / SAE #3	SAE 10" / SAE #3	SAE 11.5" / SAE #3	SAE 11.5" / SAE #3
O/A Dimensions (L x W x H)³	1380 x 810 x 1500 mm	1380 x 810 x 1500 mm	1380 x 810 x 1500 mm	1430 x 810 x 1670 mm	1430 x 810 x 1670 mm
O/A Weight (Dry)³	585 kg	580 kg	580 kg	610 kg	640 kg

¹ Fuel consumption based on diesel fuel with a specific gravity of 0.835 kg/m³ at 15 degrees C. Actual figures may vary. ² More sizes available upon request. ³ Values are approximates only.

MADE TO STOCK
POWER UNITS

All Made-To-Stock (MTS) Power Units are locally assembled, tested and ready to work.

B-Series Power Units 89 - 163 hp



Industrial or residential grade exhaust system.

Premium quality Donaldson air cleaner with air filter service indicator.

Complete electrical engine harness. Includes engine stop solenoid, glow plug assisted start and fuel pump.

Heavy duty cooling package featuring all-aluminium bar and plate construction, high performance cooling fan and ambient temperature rating of 55°C rating. Can be optioned with coolant surge catchment tank.

Engine Controller PRO with IP65 rating and built in E-Stop for complete engine monitoring and protection. Customisable to suit various application requirements. Can be optioned with a pressure transducer, and 4G remote monitoring and control kit.

Australian designed and manufactured engine mounts and skid.

DIAS

Isuzu Power Solution's state-of-the-art Diesel Inquiry Assessment System (DIAS) is designed to match every customer with their ideal power unit.

DIAS will take you through a series of easy to answer questions that highlights your needs, environment and application; ensuring you receive the right product to provide you with trouble free operation for many years to come.

For more information, talk to an Isuzu dealer today.

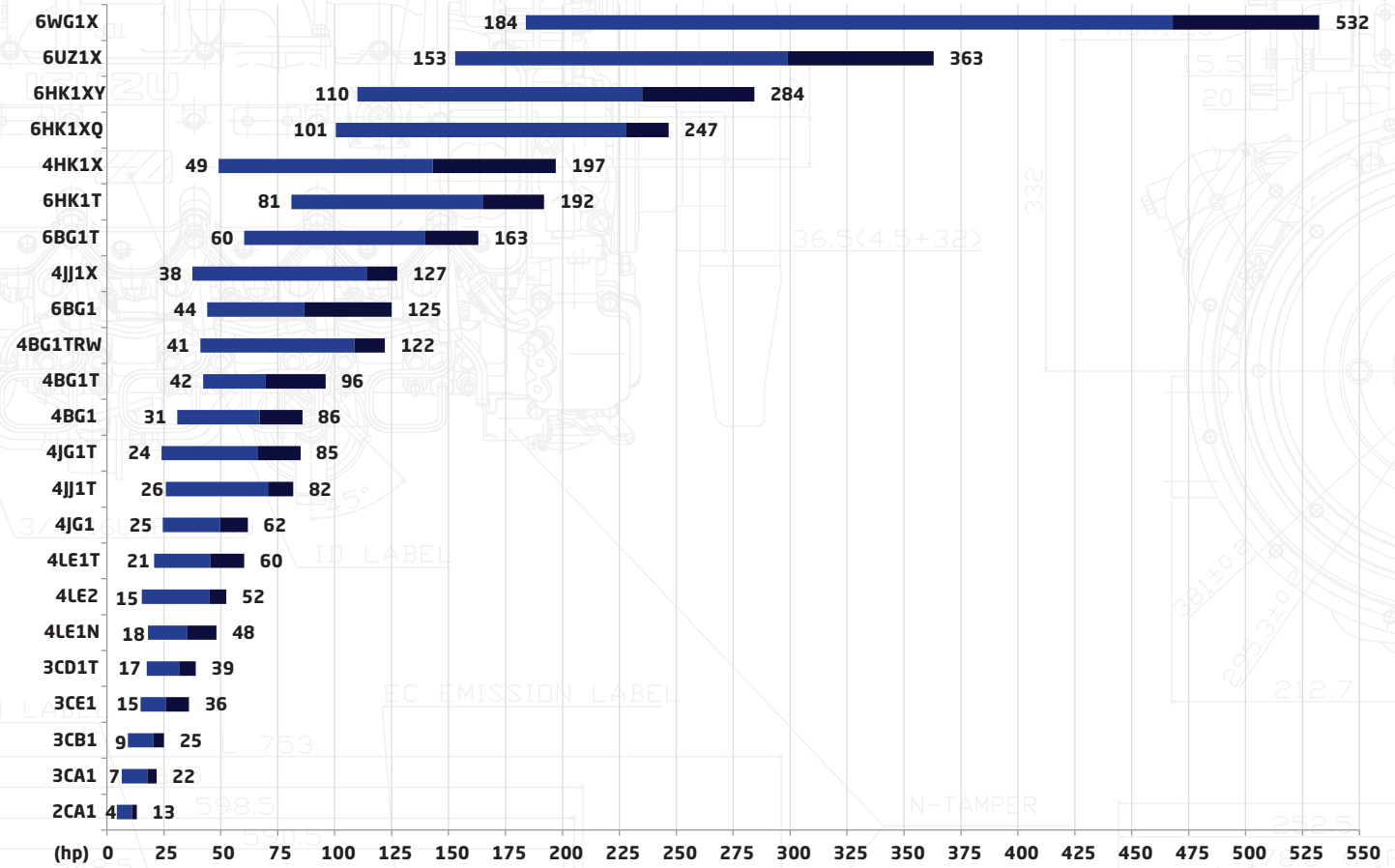
Custom Engineering

From the city to the outback, Isuzu Power Solutions can be found in the heart of most Original Equipment Manufacturer (OEM) applications. Our dedicated engineering team can provide customised solutions to suit various application requirements and needs.

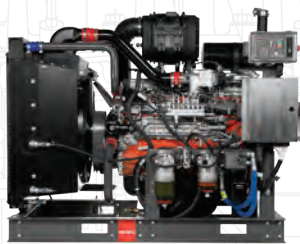
From design to commissioning, custom cooling packages, engine speed and pressure control and everything in between, our engineering team is ready for the challenge.

Contact us to find out how we can help design and deliver a solution for your application.

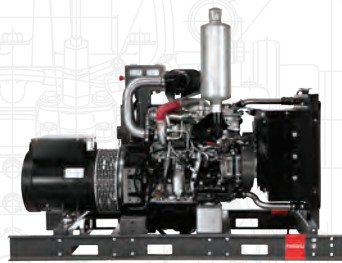
Isuzu Rated Power Band



Product Range



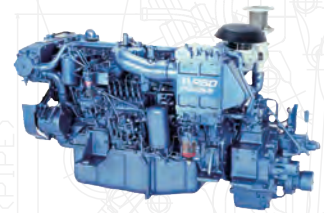
Power Units



Generator Sets



OEM Engines



Marine Engines